



PRESSURE REGULATOR R25/ SERIES DATA-SHEET

CONSTRUCTION FEATURES

- TWO-STAGE REGULATION
- BUILT-IN RELIEF VALVE
- OVERPRESSURE AND UNDERPRESSURE SLAM SHUT VALVE
- MANUAL RESET
- BUILT-IN FILTER

SPECIAL VERSION

- WITHOUT RELIEF VALVE
- WITHOUT UNDERPRESSURE SLAM SHUT VALVE

APPLICATIONS

- GAS DISTRIBUTION FOR DOMESTIC AND INDUSTRIAL USES
- SUPPLY TO BURNERS, HEATERS, OVENS AND OTHER INSTALLATIONS THAT REQUIRE EFFICIENT REGULATION AND RAPID RESPOND TIMES



INSTALLATION

- INSTALLATION IN ALL POSITIONS AND ON INDIVIDUAL DOMESTIC GAS SYSTEMS
- INSTALLATION IN PROTECTED AREA

TECHNICAL SPECIFICATIONS

Permissible inlet pressure	$P_{e,max}$: 6 bar
Inlet pressure range	b_{pe} : 0.1 to 6 bar
Set range	W_h : 15 to 50 mbar
Accuracy class	AC : up to $\pm 5\%$
lock-up pressure class	SG : up to $+ 10\%$

Built-in slam shut valve

Setting range for max pressure	W_{ho} : 30 to 100 mbar
Setting range for min pressure	W_{hu} : 8 to 13 mbar
Accuracy class	AG : $\pm 5\%$
Response time	t_a : 1 sec.

2° Stage seat diameter

12 mm

Built-in filter

Filtering degree 0.5 mm

Threaded connections

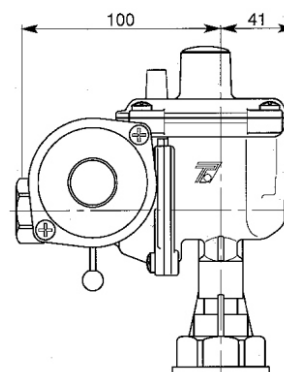
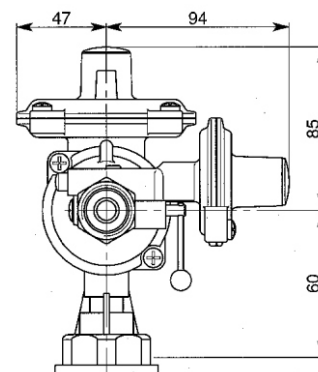
3/4" x G 1 1/4" BSP

Temperature

Standard version	Working -20 °C +60 °C
	Ambient -20 °C +60 °C

Low temperature version	Working -20 °C +60 °C
	Ambient -20 °C +60 °C

OVERALL DIMENSIONS mm



00	PRIMA EMISSIONE	15/04/98		
REV	DESCRIZIONE MODIFICA	DATA	REDATTO	APPROVATO